



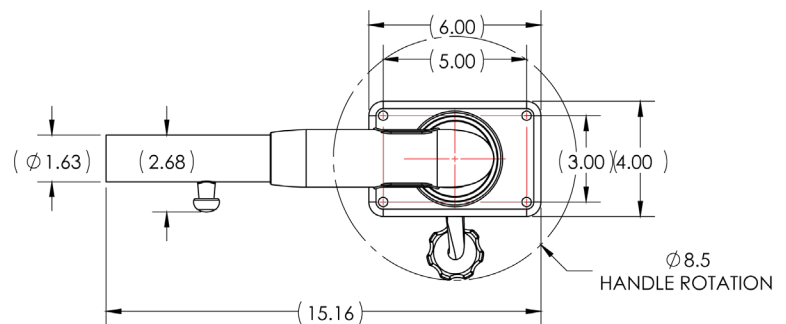
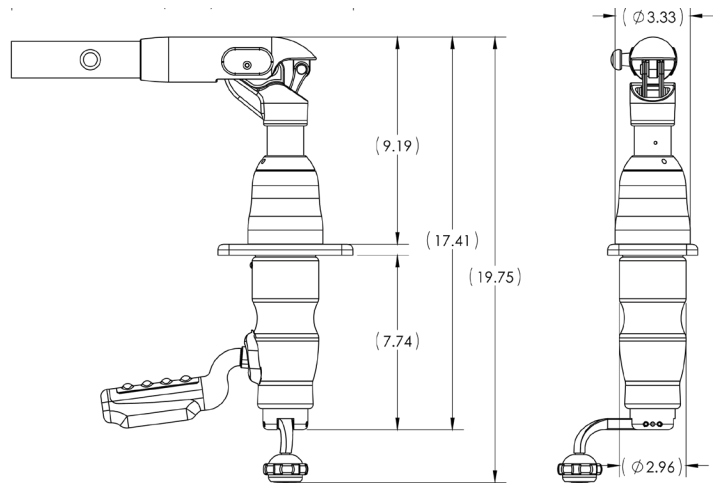
GRAND SLAM 390BHC OUTRIGGER MOUNT



Introducing the Blackout Series Grand Slam 390BHC Outrigger Mount. This mount has all of the durable, dependable features of the popular GS-390, but with a black hard coat anodized aluminum finish – providing superior protection from the elements and style. The GS-390BHC has a robust gusset and heavy-duty arm to withstand the torque and pressure created when using longer outrigger poles. This base allows anglers to easily deploy an outrigger’s vertical lift and horizontal rotation from the boat deck in rough seas. Additionally, the GS-390BHC comes equipped with our secure pin-locking technology and pairs well with TACO’s Deluxe Aluminum and Carbon Fiber Tele-Outriggers.

FEATURES & BENEFITS

- Black hard coat anodized aluminum
- Boats between 25’ – 40’
- Stronger gusset support and thicker arm for enhanced durability
- Elevation crank handle provides lift from under the T-top
- Allows for horizontal rotation from under the T-top
- Offset handle for better hand clearance
- Cast stainless steel Type-316L and machined aluminum construction
- Strong locking head allows perfect positioning
- Pairs with TACO Deluxe Aluminum or Carbon Fiber Tele-Outriggers
- Tested and proven quality
- Sleek appearance
- Maximum thickness of T-top is 2-5/8



WARNING:

This product can expose you to chemicals including Lead, which is known to the State of California to cause cancer, birth defects or other reproductive harm. For more information go to www.P65Warnings.ca.gov.

w tacomarine.com | ph 800.653.8568 | e info@tacomarine.com



PART #	DESCRIPTION	STD. PK	UOM	UPC
GS-390BHC	Grand Slam 390BHC Outrigger Mount	2	Pair	631091090870